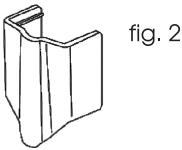
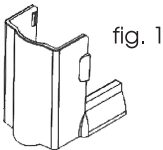
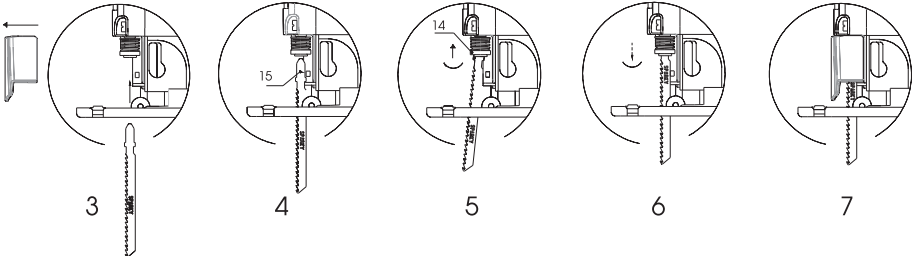
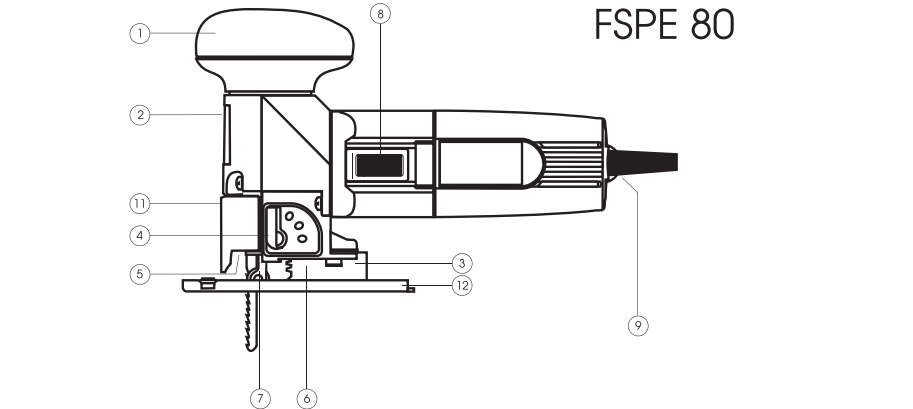
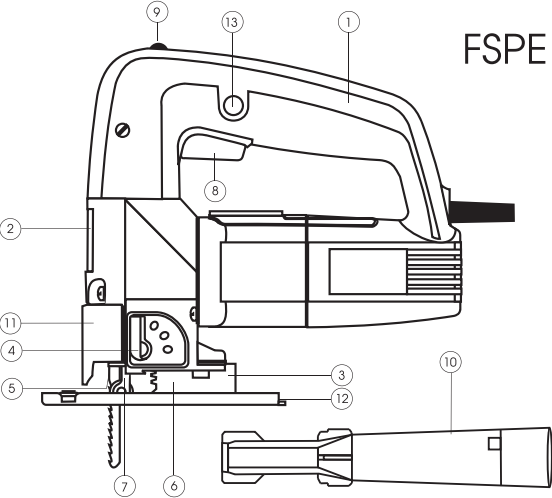



FSPE 80



FSPE 81



SPECIFICATIONS

	FSPE 80	FSPE 81
Model	550 W	550 W
Power input	550 W	550 W
No load strokes	300-3200 min ⁻¹	300-3200 min ⁻¹
Variable speed	yes	yes
Bevel cutting angle	± 45°	± 45°
Pendulum action	3-stage	3-stage
Cutting capacity in:		
wood	80 mm	80 mm
steel	5 mm	5 mm
non-ferrous metals	20 mm	20 mm
hard aluminium	15 mm	15 mm
ceramics	10 mm	10 mm
Quick-grip blade system	yes	yes
Weight	2,1 kg	2,2 kg
Safety class (EN 50144) 	II	II

These models SPARKY power tools are supplied from single-phase alternating current mains. They can be connected to grounded or not grounded sockets as they are double insulated according to EN 50144, IEC 60745. These power tools are radio suppressed in compliance with EN 55014-1, EN 55014-2, EN 61000-3-2, EN 61000-3-3 for radio interference.


DESIGNATION

This power tool is designed for sawing wood, plastics and metals. Due to the additional accessories and a range of blades, this power tool is suitable for a large range of applications, including circular sawing.

MAIN COMPONENTS

1. Handle
2. Name plate
3. Screw for fixing bevel cutting angle
4. Lever for pendulum action adjustment
5. Quick-grip blade system
6. Base plate
7. Roller guide
8. ON/OFF switch
9. Electronic regulator
10. Dust extraction adapter
11. Transparent guard
12. Hexagon wrench
13. Lock-on button

ACCESSORIES TO BE USED WITH THIS POWER TOOL

Blades with BOSCH type shank shape, up to 1,5 mm shank gauge, for sawing wood, metal and non-metal materials. 



**FOR YOUR SAFETY
READ BEFORE USE!**



Attention, dangerous operation!

Operating with unsecured workpiece or touching the moving parts of the saw could cause severe physical injuries, and noise loading could damage the operator's hearing if the below-mentioned instructions and those in the enclosed Safety Instructions are not observed.



Safety operation instructions and precautions

Before starting to operate the jig saw, always check the following:

- Make sure the power supply voltage corresponds to the value indicated on the nameplate with the technical data of the tool.
- Make sure what is the position of ON/OFF switch. The jig saw must be connected to the power supply socket only when this switch is in OFF position.

- Make sure the cord and the plug are in order. In case the supply cord is damaged, it must be replaced with a special cord or assembly, available from the manufacturer or its service agent, in order to avoid hazard due to the replacement.
- Make sure the saw blade is tightened to holder 5.



**DURING CARRYING OUT ANY WORK,
PLEASE DO OBSERVE THE FOLLOWING
SAFETY REQUIREMENTS:**



Never operate the machine without goggles!



Wear ear protectors!

- Use of protective gloves is recommended.
- Never operate the jig saw under load.
- Always keep the cord away from the working area of the saw.
- Always search for a secure and stable position of your body.
- Fix the machined piece in vice or in another appropriate way.
- Unplug the machine prior to any adjustment, repair or maintenance or in case of mains drop out.
- SPARKY power tools must not be used outdoors in rainy weather, or in moist environment (after rain) or in close vicinity with easily flammable liquids and gases. The working place should be well lit.
- Noise and vibration values

The values typical for the device measured according to EN 50144 are:

Sound pressure level	- 86 dB (A)
Sound power level	- 99 dB (A)
Weighted acceleration	- 6,0 m/s ²

OPERATING DIRECTIONS

Switching on - switching off

- Brief activation

Switching on: press and hold switch 8.

Switching off: release switch 8.

- Continuous use

Switching on:

FSPE 80 - press and lock ON/OFF switch 8 in the indicated direction.

FSPE 81- press ON/OFF switch 8 and lock it by button 13.

Switching off: press and release ON/OFF switch 8.



In case ambient temperature is lower than 0°C the jig saw must be switched on only in "G" position of the vertical stroke electronic regulator. After several minutes operation at no-load the jig saw can be used also in the rest regulator positions.

Pendulum action adjustment

Switching on the pendulum action permits achieving maximum cutting efficiency. Friction and heat generation is reduced, chip ejection is improved by the decreased pressure of blade on the machined material. Switching and setting the pendulum action is achieved by rotating lever 4.

The recommended positions of pendulum action switch are indicated on the name plate 2. Switching the pendulum action stages can be performed even while the machine is operating.

Vertical stroke rate adjustment

The vertical stroke rate can be adjusted smoothly by rotating regulator 9 from position "A" to position "G". The recommended positions for cutting different materials are as follows:

Material	Regulator position
1. Wood	F-G
2. Non-ferrous metals	D-E
3. Steel	C-D
4. Ceramics	B-C
5. Rubber	A-C

Installing the saw blade (fig.3 to fig.7)

With the jig saw switched off (the plug drawn out of mains socket) remove transparent guard 11 from the machine.

Raise bush 14 to uppermost position. Place blade shank 15 into the groove of quick-grip mechanism 5 and insert it until rear shank tooth gets into the quick-grip aperture. Release bush 14, thus locking and fixing the blade.

Check the reliability of fastening by slightly pulling the blade. Place the transparent guard back on the machine.

Replacing (removing) the blade

With the jig saw switched off (the plug drawn out of mains socket) remove transparent guard 11. Raise bush 14 to uppermost position. Draw the blade out of the groove. When the blade is drawn out from the quick-grip mechanism, the bush automatically returns to its initial position. Place the transparent guard back on the machine.



Lubricate roller guide 7 regularly with a few drops of oil.

Bevel cutting

Unscrew screw 3 by the hexagon wrench 12 attached to adapter 10. Pull the base plate backward, adjust the necessary cutting angle (0°, 15°, 30° or 45°), put base plate 6 back and fix screw 3. Fixing at intermediate angles is accomplished with the base plate pulled back.

The jig saw is assembled with two transparent guards, as shown on Fig.1 and Fig.2.

The guard on Fig.1 is designed for dustless sawing and it should always be mounted when using aspiration (vacuum cleaner). When this guard is mounted, bevel sawing cannot be performed. For bevel sawing the operator shall use the guard, shown on Fig.2.

Dust suction

Mount and press adapter 10 to the arch on the base plate. In order to dismount the adapter, press and pull back the fixing tooth. The adapter fits vacuum cleaners with Ø30 hose orifice.

Recommendations

When sawing metal, apply cooling liquid (water or oil) on the line of cut. In case of sawing thin metal sheets, tighten in advance the sheet on a wooden support. Thus the cut edge will be smoother.

Circular cutting is possible at minimum radius 100 mm and maximum thickness of the material 20 mm. Cutting with parallel guides is possible up to 50 mm thickness of the material.

Maintenance and repair

These models jig saws do not require any special maintenance. Any work on the machine, save blade replacement and base turning to the fixed angle, must be accomplished by authorised persons in authorised service centres for warranty and post-warranty servicing of SPARKY power tools.

Warranty

The guarantee period for SPARKY power tools is determined in the guarantee card.

Faults due to defective materials implemented as well as defects in workmanship will be corrected free of charge through replacement or repair.

Faults due to normal wear, overloading or improper handling will be excluded from the guarantee.

The complaints for defective SPARKY power tools will be recognised if the machine is sent back to the dealer or is presented to the authorised warranty service centre undismantled, in its initial condition.



Environmental Protection

The machine, accessories and packaging should be sorted for environmental-friendly recycling.

These instructions are printed on recycled paper manufactured without chlorine.

The plastic components are labelled for categorised recycling.