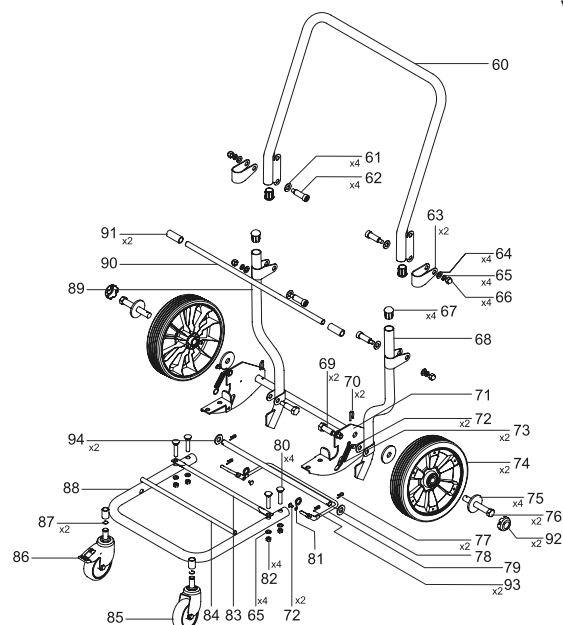
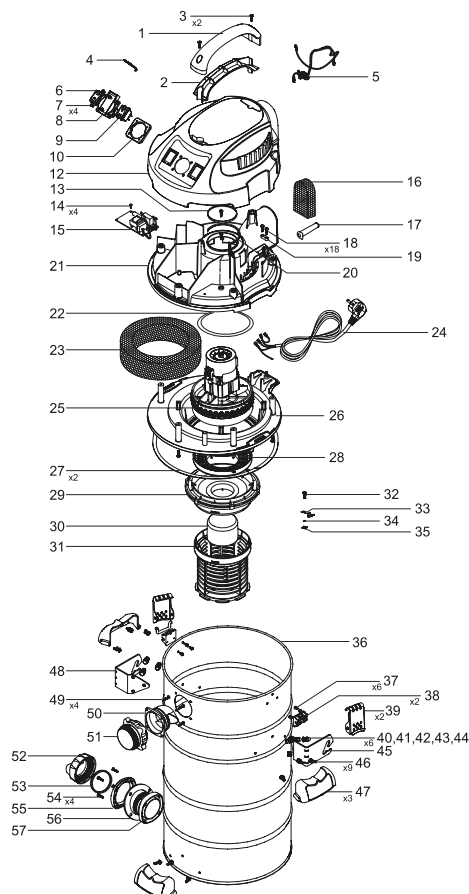


POS. No.	Ref.No.	Description
1	183299	Lower Handle
2	183300	Upper Handle
3	183345	Screw T3.9X16F
4	183298	Lead
5	183301	Capacitor&Inductor
6	183297	Function switch
7	183344	Screw T4.2X10F
8	183296	Synchro Socket
9	183295	Switch
10	183294	Socket Press Board
12	183293	Upper Cover
13	183305	Damping Bar
14	183343	Screw T2.9X12F
15	183292	PCB
16	183307	Sponge
17	183308	Cable Sleeve
18	183346	Screw T3.9X16F
19	183309	Cord Clamp
20	183306	Seal
21	183291	Middle Cover
22	183290	Seal Ring
23	183289	Sponge
24	183310	Power Cable
25	183288	Motor Set
26	183287	Lower Cover
27	183286	Seal (For Lower Cover)
28	183285	Seal Ring
29	183284	Tray
30	183283	Floater Cup
31	183282	Filter Basket
32	183347	Screw M4X32
33	183311	Grounding connector
34	183348	Washer
35	183349	Nut M4
36	183312	Stainless Steel Tank
37	183350	Screw T3.5X8F
38	183313	Agraffe Seat
39	183314	Agraffe Set
40	183351	Bolt M6X12
41	183352	Washer
42	183353	Washer 6
43	183354	Washer 6
44	183355	Nut M6
45	183315	Tank Support(Right)

POS. No.	Ref.No.	Description
46	183356	Screw T4.8X16F
47	183316	Handle
48	183324	Tank Support(Left)
49	183358	Screw T3.9X14F
50	183323	Suction Press Board
51	183322	Suction Seat
52	183321	Waterspout Cover
53	183320	Seal Ring
54	183357	Screw T4.2X16F
55	183319	Drain Inlet Base
56	183318	Drain Inlet Seal Ring
57	183317	Waterspout
60	183325	Handle Of Barrow
61	183360	Washer 10
62	183359	M8X29
63	183326	Bracket
64	183361	Washer 8
65	183362	Washer 8
66	183363	Nut M8
67	183327	Stoppole
68	183328	Stay Bar (Right)
69	183365	Screw
70	183364	Pin: "R"
71	183329	Subassembly of Handle
72	183366	Rivet
73	183332	Reed
74	183330	Big Wheel
75	183367	Washer12
76	183331	Axis Of Wheel
77	183368	Pin: "R"
78	183333	Stay Bar Of Orientation
79	183334	Service Brake
80	183369	Bolt M8X40
81	183335	Staff
82	183370	Nut M8
83	183336	Knighthead
84	183338	Knighthead
85	183337	Castor Without Brake
86	183339	Castor With Brake
87	183371	Ring
88	183340	Knighthead Of Tank Base
89	183463	Stay Bar (Left)
90	183341	Staff of Rotation
91	183342	Sheath
92	183848	Roller cap
93	183849	Pin: "R" 1
94	183850	Washer



VC 1650MS