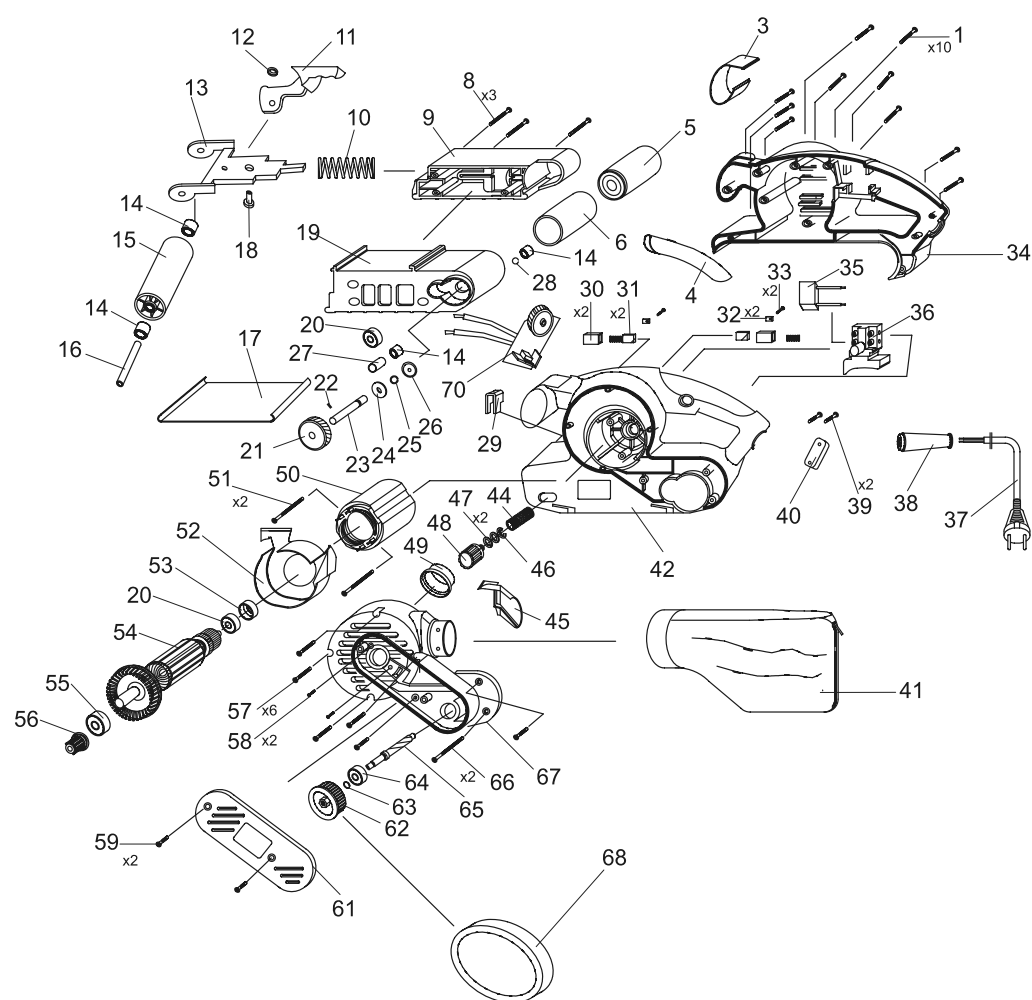


PROFESSIONAL
MBS 876 - 180002; MBS 876E - 180041

POS. No.	Ref.No.	Description	POS. No.	Ref.No.	Description
1	182544	Screw ST4.2X16 MBS 876&MBS 876E	39	182562	Screw ST4.2X16 MBS 876&MBS 876E
3	180249	Front soft grip MBS 876&MBS 876E	40	182563	Cord set clamp plate MBS 876&MBS 876E
4	180250	Soft grip MBS 876&MBS 876E	41	182564	Dust bag MBS 876&MBS 876E
5	180251	Rear wheel MBS 876&MBS 876E	42	182565	Middle enclosure MBS 876&MBS 876E
6	182546	Rubber sleeve MBS 876&MBS 876E	44	182566	Spring MBS 876&MBS 876E
8	182548	Screw ST4.2X35 MBS 876&MBS 876E	45	180270	Baffle insert block MBS 876&MBS 876E
9	180252	Clamp Device MBS 876&MBS 876E	46	182567	Ring MBS 876&MBS 876E
10	180253	Spring MBS 876&MBS 876E	47	182568	Washer MBS 876&MBS 876E
11	180254	Lever MBS 876&MBS 876E	48	180271	Adjustable knob MBS 876&MBS 876E
12	182549	Washer MBS 876&MBS 876E	49	182569	Bearing Plate MBS 876&MBS 876E
13	180255	Support MBS 876&MBS 876E	50	180272	Stator MBS 876&MBS 876E
14	182550	Needle Bearing MBS 876&MBS 876E	51	182570	Screw ST4.2X60 MBS 876&MBS 876E
15	180256	Front wheel MBS 876&MBS 876E	52	180273	Baffle MBS 876&MBS 876E
16	180257	Pin MBS 876&MBS 876E	53	180274	Rubber cover MBS 876&MBS 876E
17	180258	Cover board MBS 876&MBS 876E	54	180275	Armature set MBS 876&MBS 876E
18	182551	Rivet MBS 876&MBS 876E	55	182571	Bearing 608 MBS 876&MBS 876E
19	180259	Aluminum bracket assembly MBS 876&MBS 876E	56	182572	Small belt wheel MBS 876&MBS 876E
20	182552	Bearing 626 MBS 876&MBS 876E	57	182573	Screw ST4.2X16 MBS 876&MBS 876E
21	180260	Gear MBS 876&MBS 876E	58	182574	Screw ST2.9X10 MBS 876&MBS 876E
22	182553	Pin MBS 876&MBS 876E	59	182575	Screw ST4.2X13 MBS 876&MBS 876E
23	180261	Shaft MBS 876&MBS 876E	61	180277	Belt cover board MBS 876&MBS 876E
24	182554	Washer MBS 876&MBS 876E	62	180278	Belt wheel MBS 876&MBS 876E
25	182555	Retainer ring MBS 876&MBS 876E	63	182576	Washer MBS 876&MBS 876E
26	182556	Washer MBS 876&MBS 876E	64	182577	Bearing 627 MBS 876&MBS 876E
27	182557	Locating Ring MBS 876&MBS 876E	65	180279	Spring gear shaft MBS 876&MBS 876E
28	182558	Hole ring MBS 876&MBS 876E	66	182578	Screw ST4.2X65 MBS 876&MBS 876E
29	182559	Bearing Plate MBS 876&MBS 876E	67	180280	Left enclosure MBS 876&MBS 876E
30	180262	Brush Holder MBS 876&MBS 876E	68	180281	Driving Belt MBS 876&MBS 876E
31	180263	Carbon brush MBS 876&MBS 876E	[2] 70	181713	Variable Speed Control MBS 876E
32	182560	Brush holder clamp plate MBS 876&MBS 876E	204	179860	Grease 2 - 1.00 kg.
33	182561	Screw ST2.9X10 MBS 876&MBS 876E			
[1] 34	180264	Right enclosure MBS 876			
[2] 34	181711	Right enclosure with Electronic MBS 876E			
35	180265	Capacitor MBS 876&MBS 876E			
36	180266	Switch MBS 876&MBS 876E			
37	180267	Cable MBS 876&MBS 876E			
38	180268	Cable sleeve MBS 876&MBS 876E			

Note:
[1] - only for MBS 876; [2] - only for MBS 876E



MBS 876
MBS 876E