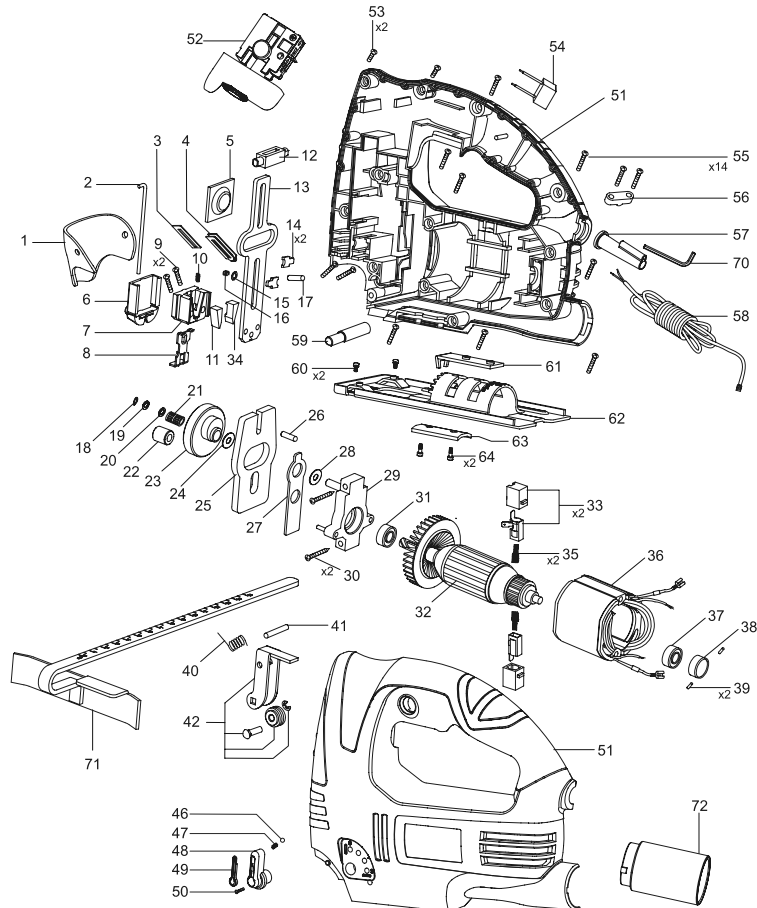


POS. No.	Ref.No.	Description	POS. No.	Ref.No.	Description	
1	182221	Fence	37	182231	Bearing 626-z2	
2	182222	Steel Guide	38	182230	Relief Washer	
3	182197	Wool Felt	39	182229	Rubber pin	
4	182198	Wool Felt Slice	40	182255	Spring	
5	182195	Slide Sleeve plate	41	182256	Pin 4x24	
6	182220	Cap	42	182257	Roller Assembly	
7	182216	Al. Alloy Fixing Plate	46	182227	Ball bearing	
8	182215	Slide Sleeve plate	47	182226	Spring	
9	182217	Screw M 4x16	48	182225	Knob	
10	182214	Spring	49	182224	Knob Cover	
11	182213	Left Clamp	50	182223	Screw M 3x10	
12	182194	Oiling bearing	51	182258	Right +Left Housing	
13	182196	Fast Slide	[1]	52	182189	SZMD Switch
14	182200	Square Washer	[2]	52	182278	JiaBen Switch
15	182201	Round Washer	53	182190	Screw ST4,2x13	
16	182205	Spring	54	182264	Capacitor	
17	182199	Pin 5x15,8	55	182187	Screw ST4,2x16	
18	182250	Ring	56	182186	Cord clamp	
19	182249	Washer	57	182185	Cord protector	
20	182248	Washer	[1]	58	182263	Cord set
21	182247	Needle Roller Bearing	[2]	58	182183	Cord set
22	182246	Sleeve	59	182206	Knob Shaft	
23	182245	Big Gear	60	182267	Screw M 4x6	
24	182244	Washer	61	182269	Fixing Plate	
25	182242	Balance Block	62	182270	Steel Base Plate	
26	182243	Pin 6x12	63	182271	Sub-steel plate	
27	182241	Plate	64	182272	Hex Screw M4x16	
28	182240	Washer	70	182184	Wrench	
29	182238	Bearing Plate	71	182275	Edge Guide	
30	182239	Screw ST4,2x30	72	182277	Dust Adaptor	
31	182237	Bearing 608-2RS	204	179860	Grease 2 - 1,00 kg.	
32	182274	Armature assembly				
33	182233	Brush Holder Assembly				
34	182212	Right Clamp				
35	182234	Carbon Brush				
36	182273	Stator Assembly				

Note:  
[1] - only for TH 65; [2] - only for TH 65E



TH 65  
TH 65E