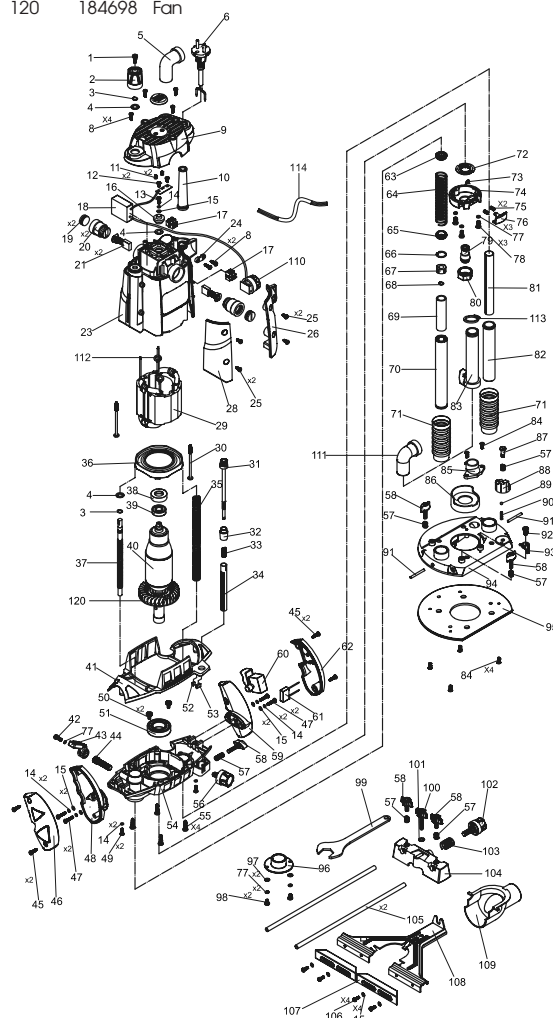


# PROFESSIONAL X 205CE - 180034

POS. No.	Ref.No.	Description
1	181600	Screw
2	181601	Micro-Adjustment knob
3	181602	Shaft retainer ring
4	181603	Flat Washer
5	181604	Dust Nozzle
6	181605	Cord set
8	181607	Screw
9	181608	Rear cover
10	181609	Cable sleeve
11	181610	Screw
12	181611	Screw
13	181612	Screw
14	181613	Spring Washer
15	181614	Flat Washer
16	181615	Mag Ring
17	181616	Clutch Cap
18	181617	Speed Controller
19	181618	Brush Holder Cover
20	181619	Brush Holder
21	181620	Carbon Brush
23	181622	Housing
24	181623	Cable Clamper
25	181624	Screw
26	181625	Right housing Cover
28	181627	Left Housing Cover
29	181628	Field
30	181629	Screw
31	181630	Depth-Adjustment Dialer Upper
32	181631	Depth-Adjustment Dialer Lower
33	181632	Depth adjustment Spring
34	181633	Depth adjustment Pole
35	181634	Spring
36	181635	Wind ring
37	181636	Micro-Adjustment Bolt
38	181637	Bearing Sleeve
39	181638	Ball Bearing
40	181639	Armature
41	181640	Middle cover
42	181641	Screw
43	181642	Lock Trigger
44	181643	Lock Screw
45	181644	Screw
46	181645	Left Handle Cover
47	181646	Screw
48	181647	Left handle Base
49	181648	Screw
50	181649	Screw
51	181650	Ball Bearing
52	181651	Rubber pin
53	181652	Rubber pin
54	181653	Lower cover
55	181654	Screw
56	181655	Depth adjustment knob
57	181656	Spring
58	181657	Special Screw
59	181658	Right handle Base
60	181659	Switch
61	181660	Capacitor
62	181661	Right handle Cover
63	181662	Spring Sleeve
64	181663	Spring
65	181664	Spring Sleeve
66	181665	Hole ring
67	181666	Micro-Adjustment Nut
68	181667	Shaft retainer ring
69	181668	End cap
70	181669	Guide Pole II
71	181670	Pipe
72	181671	Dust cover
73	181672	Shaft retainer ring
74	181673	Spindle lock base
75	181674	Spindle Lock Spring
76	181675	Spindle Lock Knob
77	181676	Spring Washer

POS. No.	Ref.No.	Description
78	181677	Screw
79	184701	Collet 6.0 X 205CE
79	181678	Collet 8.0 X 205CE
79	184702	Collet 12.0 X 205CE
80	181679	Collets nut
81	181680	Spring Sleeve
82	181681	Guide Pole I
83	181682	Dust pipe
84	181683	Screw
85	181684	Dust Entrance Tube
86	181685	Protect Cover
87	181686	Screw I
88	181687	Depth Adjustment Block
89	181688	Steel ball
90	181689	Spring II
91	181690	Spring pin
92	181691	Screw
93	181692	Protect Cover Lock Knob
94	181693	Base
95	181694	Base cover
96	181695	Guide ring
97	181696	Flat Washer
98	181697	Screw
99	181698	Wrench
100	181699	Butterfly bolt
101	181700	Flat Washer
102	181701	Fence Adjustment Knob
103	181702	Spring
104	181703	Fence base
105	181704	Fence Pole
106	181705	Screw
107	181706	Fence Front Plate
108	181707	Fence Bracket
109	181708	Fence Dust Nozzle
110	184130	VSDIAL
111	184131	DUST COLLECTION ADAPTOR
112	184132	RING TERMINAL
113	184133	CIRCLIP FOR SHAFT Ø16
114	184134	LEADER WIRE/INTERNAL
120	184698	Fan



## X 205CE