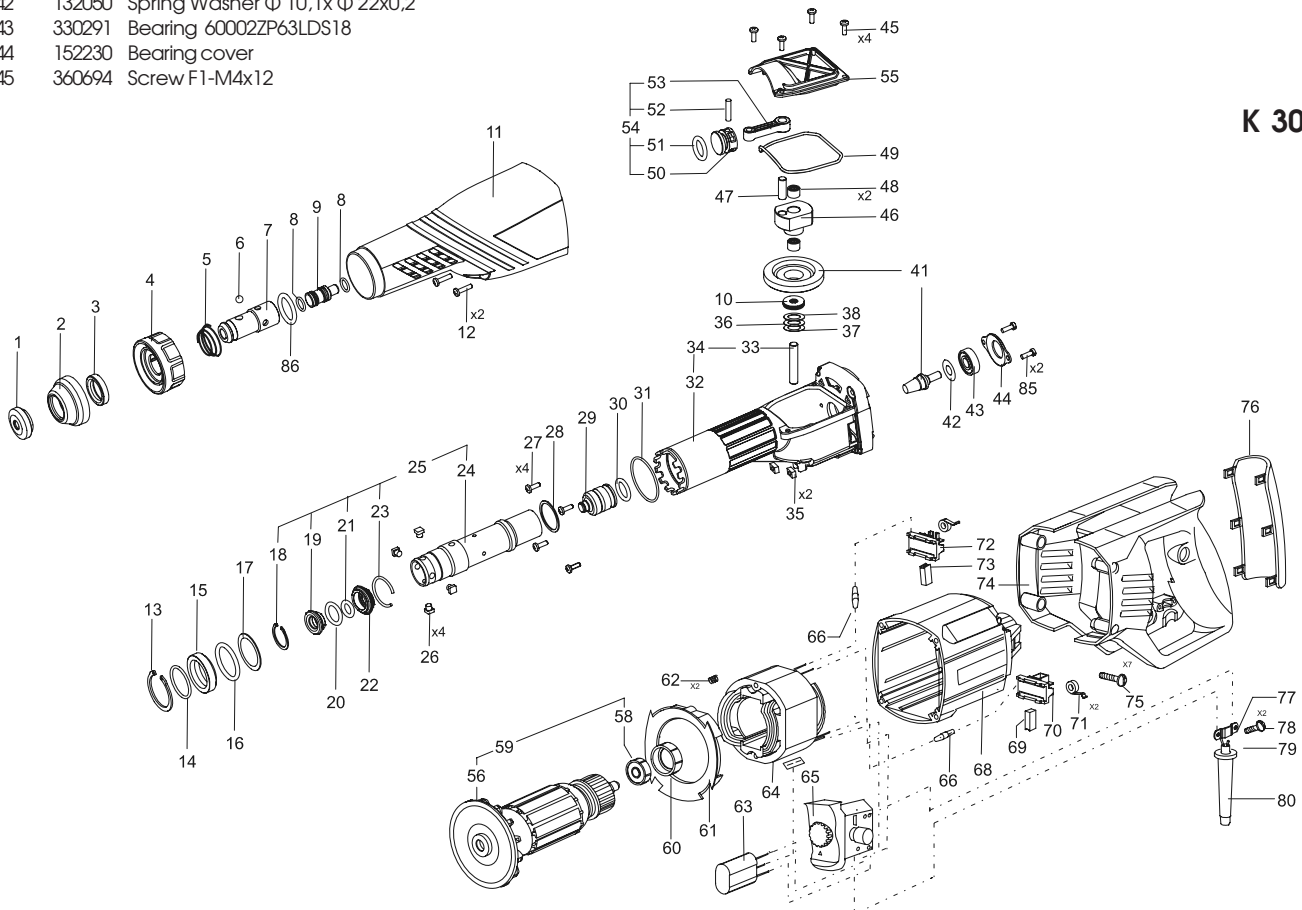


| POS. No. | Ref.No. | Description                    | POS. No. | Ref.No. | Description                   |
|----------|---------|--------------------------------|----------|---------|-------------------------------|
| 1        | 126964  | Circlip                        | 46       | 132023  | Gear shaft                    |
| 2        | 132014  | Releasing bush                 | 47       | 132024  | Crank axis                    |
| 3        | 177032  | Ring                           | 48       | 330248  | Bearing HK0808A (8x12x8) FAG  |
| 4        | 132013  | Tool retainer                  | 49       | 132041  | Box gasket φ2,5mm L~250mm     |
| 5        | 132043  | Conical spring                 | 50       | 132061  | Piston                        |
| 6        | 330097  | Pellet 6,747-100               | 51       | 330907  | O-ring 17x4 - FPM70           |
| 7        | 132035  | SDS-Spindle                    | 52       | 132031  | Axle                          |
| 8        | 330905  | O-ring 11x2 - FPM70            | 53       | 132032  | Connecting rod                |
| 9        | 132063  | Intermediate stricker          | 54       | 132006  | Piston set                    |
| 10       | 330915  | Bearing AX 0821 INA            | 55       | 132062  | Gear cover                    |
| 11       | 132012  | Housing                        | 56       | 100429  | Fan                           |
| 12       | 361075  | Screw M4x25                    | 58       | 330287  | Bearing 627-2ZP6LDS18         |
| 13       | 330749  | Circlip A 40-5D                | 59       | 132048  | Armature set                  |
| 14       | 330903  | O-ring 30x2,5 - NBR70          | 60       | 164934  | Rubber bush                   |
| 15       | 132029  | Front support                  | 61       | 129830  | Diffuser                      |
| 16       | 330902  | O-ring 32x4 - NBR70            | 62       | 122859  | Spring                        |
| 17       | 132042  | Spring Washer                  | 63       | 152377  | Capacitor set                 |
| 18       | 331300  | Circlip A24-5                  | 64       | 132049  | Stator set                    |
| 19       | 132040  | Front catch sleeve             | 65       | 173371  | Switch                        |
| 20       | 330904  | O-ring 14x4 - NBR70            | 66       | 124127  | Choke                         |
| 21       | 331283  | O-ring 9x3 - FPM70             | 68       | 152348  | Body                          |
| 22       | 132027  | Back catch sleeve              | 69       | 120965  | Brush                         |
| 23       | 330888  | Spring ring                    | 70       | 116893  | Brush holder set              |
| 24       | 132025  | Spindle                        | 71       | 112257  | Spiral spring                 |
| 25       | 173703  | Spindle set                    | 72       | 116892  | Brush holder set              |
| 26       | 132021  | Pin SDS                        | 73       | 120964  | Brush with a switch           |
| 27       | 360318  | Screw A-K 5x25                 | 74       | 152357  | Casing handle set             |
| 28       | 132026  | Spring Washer                  | 75       | 360648  | Screw 4x16                    |
| 29       | 132064  | Stricker                       | 76       | 128006  | Insert                        |
| 30       | 330906  | O-ring 17,04x3,53 - FPM70      | 77       | 256500  | Cord clamp                    |
| 31       | 330908  | O-ring 44x2 - NBR70            | 78       | 360646  | Screw 4x9,5                   |
| 32       | 132011  | Gear box                       | 79       | 127979  | Cord with a plug              |
| 33       | 132037  | Sleeve bearing axis            | 80       | 125053  | Cord protector                |
| 34       | 132003  | Gear box set                   | 85       | 360780  | Screw F2-M4x8                 |
| 35       | 361021  | Square nut M4 DIN557           | 86       | 330340  | O-ring 17X1.5B NBR70          |
| 36       | 132046  | Spring Washer φ 8,1x φ 19x0,1  | 201      | 132054  | Operating instruction         |
| 37       | 132047  | Spring Washer φ 8,1x φ 19x0,2  | 202      | 132053  | Tool case                     |
| 38       | 132045  | Spring Washer φ 8,1x φ 19x0,05 | 204      | 179866  | Grease Mobilux EPO - 1,00 kg. |
| 41       | 132020  | Gear set                       |          |         |                               |
| 42       | 132050  | Spring Washer φ 10,1x φ 22x0,2 |          |         |                               |
| 43       | 330291  | Bearing 60002ZP63LDS18         |          |         |                               |
| 44       | 152230  | Bearing cover                  |          |         |                               |
| 45       | 360694  | Screw F1-M4x12                 |          |         |                               |



**K 306E**