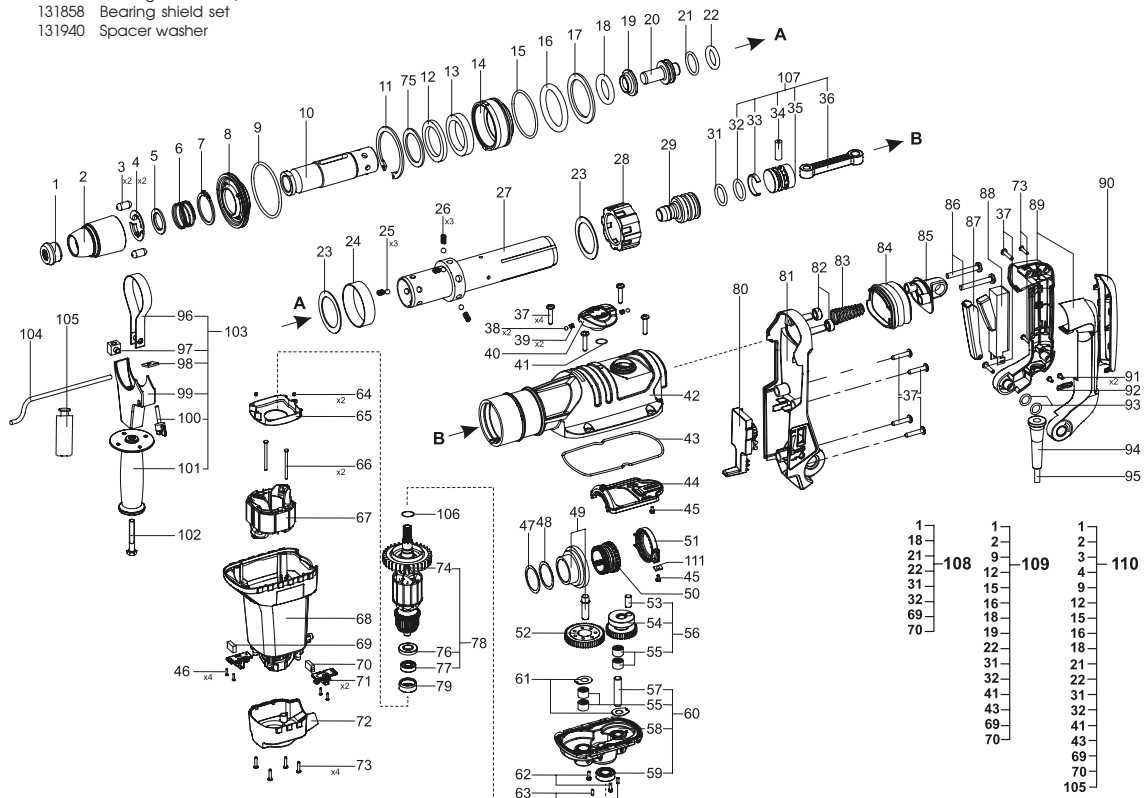


POS. No.	Ref.No.	Description	POS. No.	Ref.No.	Description
1	131082	Rubber bush	62	360695	Screw M4X12
2	131930	SDS Cover set	63	115865	Pin
3	131089	Round cotter	64	272961	Claming pin
4	131085	Semiring	65	131918	Diffuser
5	131088	Backing ring	66	119263	Screw KB 40x45/25
6	131084	Spring	67	131915	Stator set
7	331260	Circlip B30	68	131917	Body
8	131905	Locking ring	69	131076	Brush
9	330850	O-ring 60x3 NBR 70	70	131966	Brush with a switch
10	131979	SDS-Spindle	71	131923	Brush holder set
11	330852	Circlip A 54-1BD	72	131922	Cover
12	131883	Gasket	73	360654	Screw 4x18
13	330849	Gasket A 34x46x8 NBR	74	130960	Fan
14	131881	Front support	75	131953	Spacer washer
15	330847	O-ring 48x2,0 NBR 70	76	131064	Protective washer
16	330848	O-ring 40x6,0 NBR 70	77	330953	Bearing 6000 2DDU P63LD18SpA
17	131885	Spacer washer	78	131911	Armature set
18	330845	O-ring 19x5 NBR 70	79	131952	Rubber bush
19	132262	Bush	80	131920	Electronic block
20	132256	Intermediate stricker	81	131919	Cover
21	331119	O-ring 23x3 FPM 70	82	131950	Tampon
22	331118	O-ring 18,64x3,53 FPM70	83	131934	Spring
23	131884	Spacer washer	84	131935	Gasket
24	132260	Circlip	85	131933	Joint
25	330074	Pellet 5-200	86	360909	Screw F2-M6x40
26	132259	Spring	87	170108	Trigger
27	131980	Spindle	88	131079	Switch
28	132261	Support	89	131936	Casing handle set
29	132254	Stricker	90	131937	Insert
31	330843	O-ring 22x3,5 FPM 70	91	360646	Screw 4x9.5
32	330846	O-ring 22x4,0 FPM 70	92	256500	Cord clamp
33*	131873	Circlip	93	331124	O-ring 14x3 - NBR70
34	131872	Axle	94	131939	Cord protector
35*	131870	Piston	95	168119	Cord with a plug
35**	131990	Piston	96	131947	Base clamp
36	131871	Pitman	97	131110	Stretching plate
37	360677	Screw K5x25(D10)	98	131109	Plate for limiter
38	330074	Pellet 5-200	99	131946	Console
39	116913	Spring	100	111028	Butterfly bolt
40	131897	Change Knob Set	101	131291	Handle
41	330350	O-ring 26X2 NBR70	102	360195	Bolt D1-M8X40
42	131853	Gear box	103	131945	Front handle set
43	131984	Gasket	104	131224	Depth gauge
44	131901	Fork	105	131287	Tube of oil
45	360780	Screw F2-M4x8	106	330348	O-ring 2-12x1,5-2
46	360646	Screw 4x9.5	107*	131869	Piston set
47	131896	Spacer washer	107**	157341	Piston set
48	131929	Spacer washer	108	132310	First service pack
49	131888	Gear set	109	132311	Second service pack
50	131899	Tooth coupling	110	132305	Third service pack
51	131902	Rack	111	176807	Plate
52	131891	Protective assembly	201	174071	Operating instruction
53	131908	Axle	202	173646	Tool case
54	131907	Gear shaft	204*	179864	Grease Liver T-0 - 1.00 kg.
55	330125	Bearing HK 1212	204**	178672	Grease G34-130 - 1.00 kg.
56	131906	Gear shaft set			
57	131863	Axle			
58	131859	Bearing shield			
59	330854	Bearing 6002 -2RSL/C3LHT32			
60	131858	Bearing shield set			
61	131940	Spacer washer			

Note: *- fill 09.09.2010 **-from 09.09.2010



BP 540CE