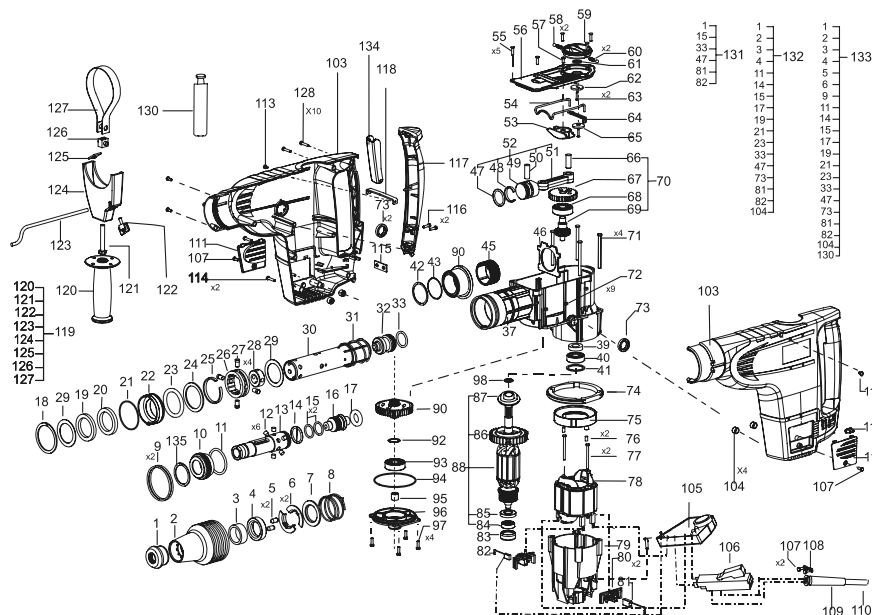


POS. No.	Ref.No.	Description	POS. No.	Ref.No.	Description
1	131082	Rubber bush	75	131074	Diffuser
2	131083	SDS Cover	76	239974	Claming pin
3	131121	Elastic ring	77	360665	Screw 4x64
4	131087	Carrier ring	78*	131070	Stator set
5	131089	Round cotter	78**	131307	Stator set
6	131085	Semiring	79	131073	Motor body
7	131088	Backing ring	80	116752	Brush holder set
8	131084	Spring	81	131076	Brush
9	330379	O-ring 66X2B	82	131075	Brush
10	131086	Locking ring	83	131952	Rubber bush
11	330591	O-ring 46X4 NBR70	84	330291	Bearing 60002ZP63LDS18
12	330606	Roller 8X8	85	131064	Protective washer
13	131081	SDS-Spindle	86	130960	Fan
14	330350	O-ring 26X2 NBR70	87	131294	Labyrinth gasket
15	330662	O-ring 22X3 FPM70	88	131059	Armature set
16	131006	Intermediate stricker	90	131300	Protective assembly
17	330663	O-ring 18X8 FPM70	92	131028	Compensating washer
18	330610	Circlip A60	93	330634	Bearing 6203 2RSR FA177/INA
19	131047	Gasket	94	330352	O-ring 80X2B
20	330609	Gasket AS40x55x7 NBR	95	330602	Bearing HK1012
21	330593	O-ring 56X2 NBR70	96	131023	Bearing cover
22	131116	Front support	97	360698	Screw M4X20
23	330601	O-ring 45X7 NBR70	98	112915	Spacer washer
24	131056	Spacer washer	103*	131091	Casing set
25	131016	Circlip	103**	131316	Casing set
26	131013	Exterior ring	104	116757	Rubber bush
27	131017	Pin	105*	131101	Electronic block
28	131015	Interior ring	105**	170508	Electronic block
29	131055	Spacer washer	106*	131105	Switch
30	131113	Spindle	106**	131079	Switch
31	131054	Spring	107	360646	Screw 4x9.5
32	131004	Stricker	108	256500	Cord clamp
33	330595	O-ring 26.58X3.53 FPM80	109	120724	Cord protector
37	131048	Body set	110	153314	Cord with a plug
39	330608	Gasket AS15x28x7 NBR	111	131094	Couple brush cover set
40	330695	Bearing 6202-2RS-P63-LDS18Sp.A	112	131098	Light conductor
41	330732	Circlip A35-1D	113	360780	Screw F2-M4x8
42	131057	Padding washer	114	360387	Screw AK 5x45
43	131058	Padding washer	115	131106	Plate
45	131053	Tooth coupling	116	360781	Screw F2-M4x14
46	131052	Rack	117	131103	Insert
47	330597	O-ring 28X3.5 FPM80	118	131099	Clamp
48	131011	Circlip	119	131107	Front handle set
49	131008	Piston	120	131291	Handle
50	131010	Axle	121	360195	Bolt D1-M8X40
51	131009	Pitman	122	111028	Butterfly bolt
52	131007	Piston set	123	131224	Depth gauge
53	131031	Guide	124	131108	Console
54	131030	Fork	125	131109	Plate for limiter
55	360674	Screw M4x18	126	131110	Stretching plate
56	131032	Cover	127	131111	Base clamp
57	360646	Screw 4x9.5	128	360654	Screw 4x18
58	330074	Pellet 5-200	130	131287	Tube of oil
59	170110	Operation mode selector switch	131***	166757	First service pack
60	115862	Spring	131****	169847	First service pack
61	330337	O-ring 13x1.5	132***	166758	Second service pack
62	131036	Spacer washer	132****	169848	Second service pack
63	360667	Screw B22.9x16DIN7982	133***	166759	Third service pack
64	131035	Spring	133****	169849	Third service pack
65	131037	Spacer washer	134***	170108	Trigger
66	131044	Pin	135****	330739	Circlip B30-2B
67	131043	Large intermediate gear	135*****	331260	Circlip B30
68	330634	Bearing 6203 2RSR FA177/INA	201	170723	Operating instruction
69	131042	Pinion	202	131305	Tool case
70	131041	Gear shaft set			
71	360415	Screw AK 5x64x20			
72	360149	Nut M4			
73	131097	Rubber insert			
74	131050	Ring			

Note: *- till 15.03.2004; **-from 15.03.2004
- till 01.02.2005; *- from 01.02.2005; *****- from 01.09.2008



BP 400E