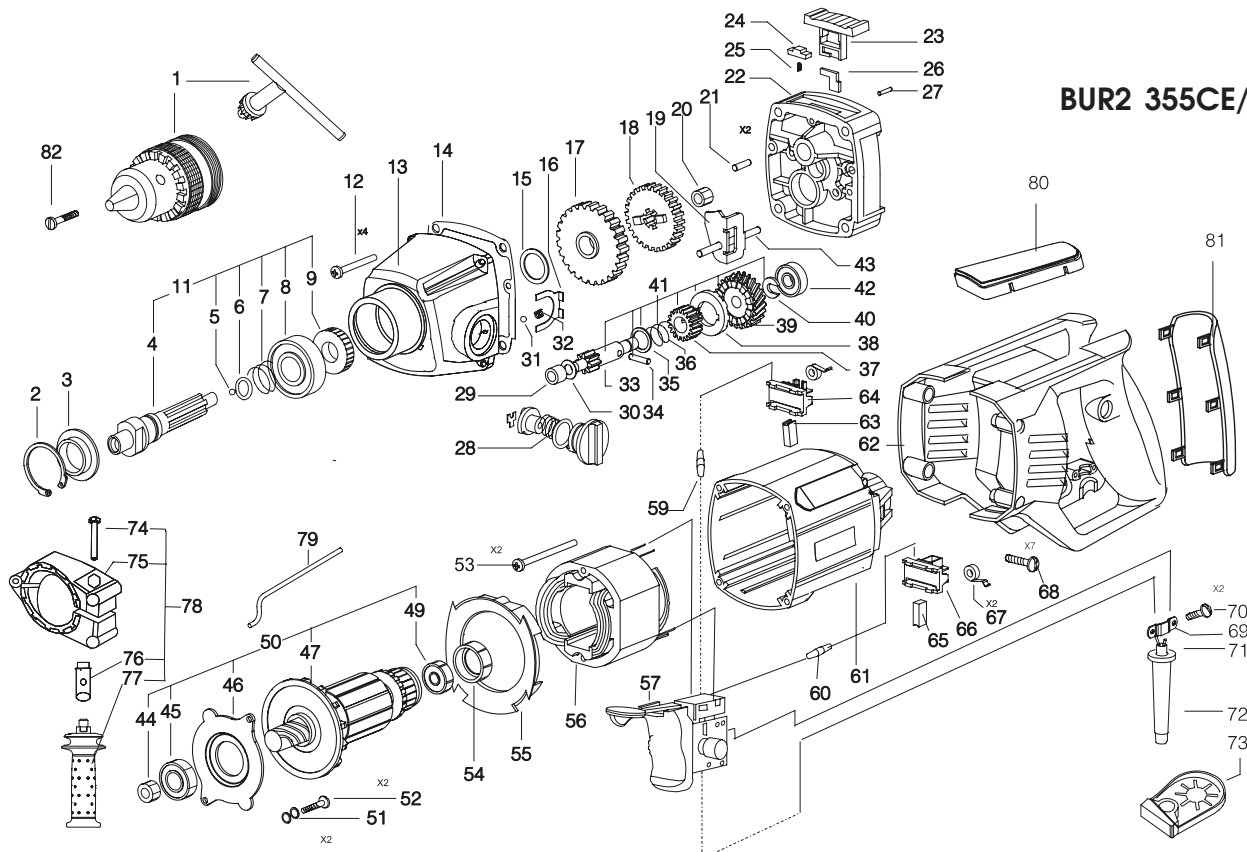


| POS. No. | Ref.No. | Description | POS. No. | Ref.No. | Description |
|----------|---------|--------------------------------|----------|---------|--------------------------------|
| 1 | 124612 | Chuck 16M | 42 | 330308 | Bearing 6082ZP63LDS18 |
| 2 | 920048 | Circlip J35x1.2 | 43 | 116816 | Axle |
| 3 | 116805 | Protective washer | 44 | 117012 | Bush |
| 4 | 152355 | Spindle | 45 | 330945 | Bearing 6000 2RSL P63 LDS18SpA |
| 5 | 330074 | Pellet 5-200 | 46 | 117011 | Bearing cover |
| 6 | 330341 | O-ring 13X2B | 47 | 131578 | Fan |
| 7 | 116797 | Spring | 49 | 330287 | Bearing 627-2ZP6LDS18 |
| 8 | 330232 | Bearing 6003-2RS | 50 | 156387 | Armature set |
| 9 | 116799 | Hammer bush | 51 | 360010 | Spring washer 4H |
| 11 | 152356 | Spindle set | 52 | 360314 | Screw M4x12 |
| 12 | 360387 | Screw AK 5x45 | 53 | 178929 | Screw 3,9x72 |
| 13 | 152352 | Gear box set | 54 | 164934 | Rubber bush |
| 14 | 152350 | Gasket | 55 | 129830 | Diffuser |
| 15 | 116806 | Spacer washer | 56 | 156393 | Stator set |
| 16 | 116817 | Fixing panel | 57 | 170571 | Switch |
| 17 | 116807 | Spindle gear I | 59 | 152467 | Choke |
| 18 | 116808 | Spindle gear II | 60 | 119885 | Choke |
| 19 | 116809 | Switching plate | 61 | 156386 | Body |
| 20 | 330233 | Bearing HK0810RS | 62 | 152358 | Casing handle set |
| 21 | 127498 | Pin | 63 | 120964 | Brush with a switch |
| 22 | 156389 | Bearing shield | 64 | 116892 | Brush holder set |
| 23 | 170048 | Hammer switch | 65 | 120965 | Brush |
| 24 | 119814 | Fixing bit | 66 | 116893 | Brush holder set |
| 25 | 130580 | Spring | 67 | 112257 | Spiral spring |
| 26 | 116831 | Plate | 68 | 360648 | Screw 4x16 |
| 27 | 116884 | Pin | 69 | 256500 | Cord clamp |
| 28 | 169550 | Speed Change Knob | 70 | 360646 | Screw 4x9.5 |
| 29 | 933756 | Bearing HK0709 | 71 | 116549 | Cord with a plug |
| 30 | 140033 | Spacer washer | 72 | 206687 | Cord protector |
| 31 | 330073 | Pellet 3.5-200 | 73 | 114292 | Key holder |
| 32 | 130580 | Spring | 74 | 360664 | Bolt D1-M8X55 |
| 33 | 154857 | Gear shaft | 75 | 176459 | Semi-ring couple |
| 34 | 117817 | Pin | 76 | 179513 | Handle extension |
| 35 | 116820 | Spacer washer | 77 | 173725 | Handle AVR M14/L12 |
| 36 | 116821 | Spring | 78 | 156710 | Auxiliary handle set |
| 37 | 116822 | Spindle gear II for Gear shaft | 79 | 151159 | Depth gauge |
| 38 | 154858 | Profile washer | 80 | 156458 | Electronic block |
| 39 | 154866 | Large intermediate gear | 81 | 128006 | Insert |
| 40 | 154867 | Circlip | 82 | 360777 | Screw M6LHx30 |
| 41 | 154868 | Gear shaft set | | | |



BUR2 355CE/AVR