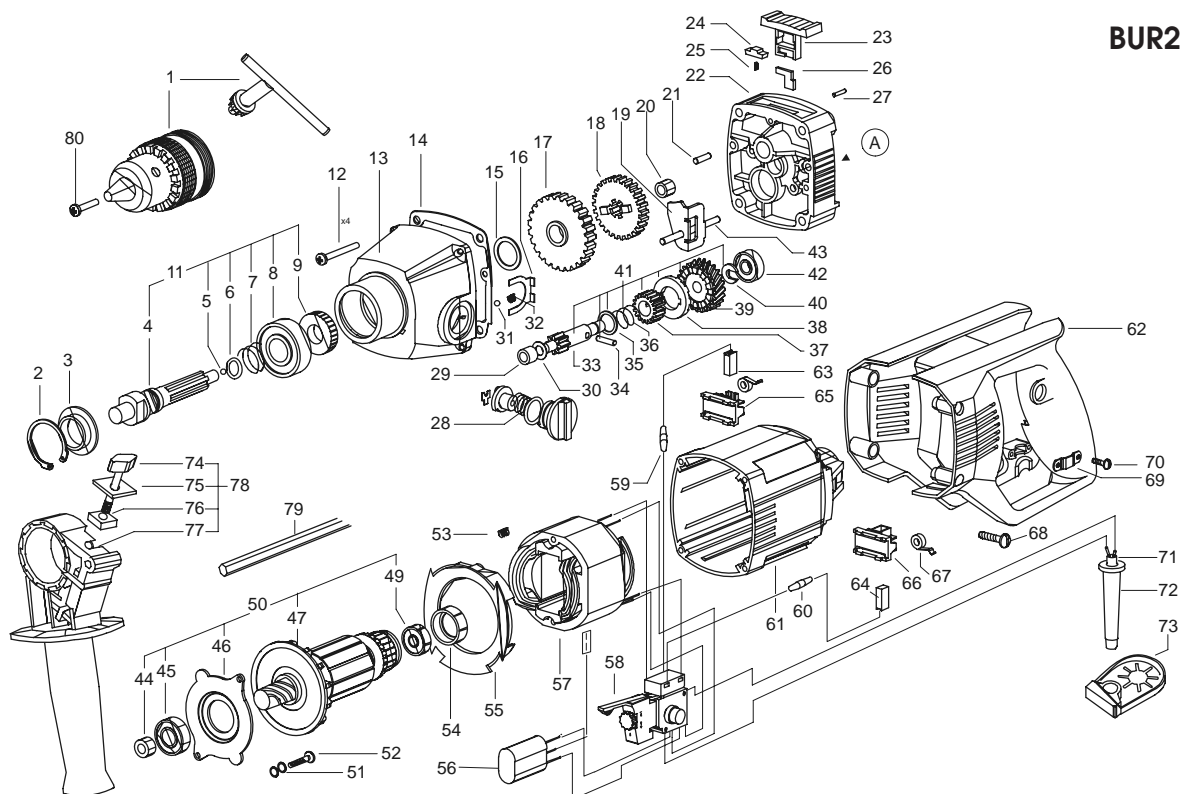


POS. No.	Ref.No.	Description	POS. No.	Ref.No.	Description
1	124612	Chuck 16M	41	116818	Gear shaft set
2	920048	Circlip J35x1.2	42	330308	Bearing 6082ZP63LDS18
3	116805	Protective washer	43	116816	Axle
4*	116863	Spindle	44	117012	Bush
4**	152355	Spindle	45	330291	Bearing 60002ZP63LDS18
5	330074	Pellet 5-200	46	117011	Bearing cover
6	330341	O-ring 13X2B	47	100429	Fan
7	116797	Spring	49	330287	Bearing 627-2ZP6LDS18
8	330232	Bearing 6003-2RS	50	116891	Armature set
9	116799	Hammer bush	51	360010	Spring washer 4H
10*	302074	Circlip cylindrical	52	360695	Screw M4X12
11*	116943	Spindle set	53	122859	Spring
11**	152356	Spindle set	54	164934	Rubber bush
12	360387	Screw AK 5x45	55	129830	Diffuser
13	125914	Gear box set	56	117014	Capacitor set
14	116827	Gasket	57	122860	Stator set
15	116806	Spacer washer	58	173389	Switch Defond DGQ 1106HO
16	116817	Fixing panel	59	119884	Choke
17	116807	Spindle gear I	60	119885	Choke
18	116808	Spindle gear II	61	122873	Body
19	116809	Switching plate	62	121238	Casing handle set
20	330233	Bearing HK0810RS	63	120964	Brush with a switch
21	127498	Pin	64	120965	Brush
22	116828	Bearing shield	65	116892	Brush holder set
23	116830	Hammer switch	66	116893	Brush holder set
24	119814	Fixing bit	67	112257	Spiral spring
25	130580	Spring	68	360648	Screw 4x16
26	116831	Plate	69	256500	Cord clamp
27	116884	Pin	70	360646	Screw 4x9.5
28	174958	Gear switch	71	116549	Cord with a plug
29	933756	Bearing HK0709	72	206687	Cord protector
30	140033	Spacer washer	73	114292	Key holder
31	330073	Pellet 3.5-200	74	121306	Butterfly screw set
32	130580	Spring	75	271221	Plate
33	116819	Gear shaft	76	114032	Nut M6
34	117817	Pin	77	121133	Handle
35	116820	Spacer washer	78	121152	Handle set
36	116821	Spring	79	121134	Depth gauge
37	116822	Spindle gear II for Gear shaft	80	360777	Screw M6LHx30
38	116823	Profile washer			
39	116824	Large intermediate gear			
40	119144	Circlip			

Note: *-till 07.01.2002; **-from 07.01.2002



BUR2 350E