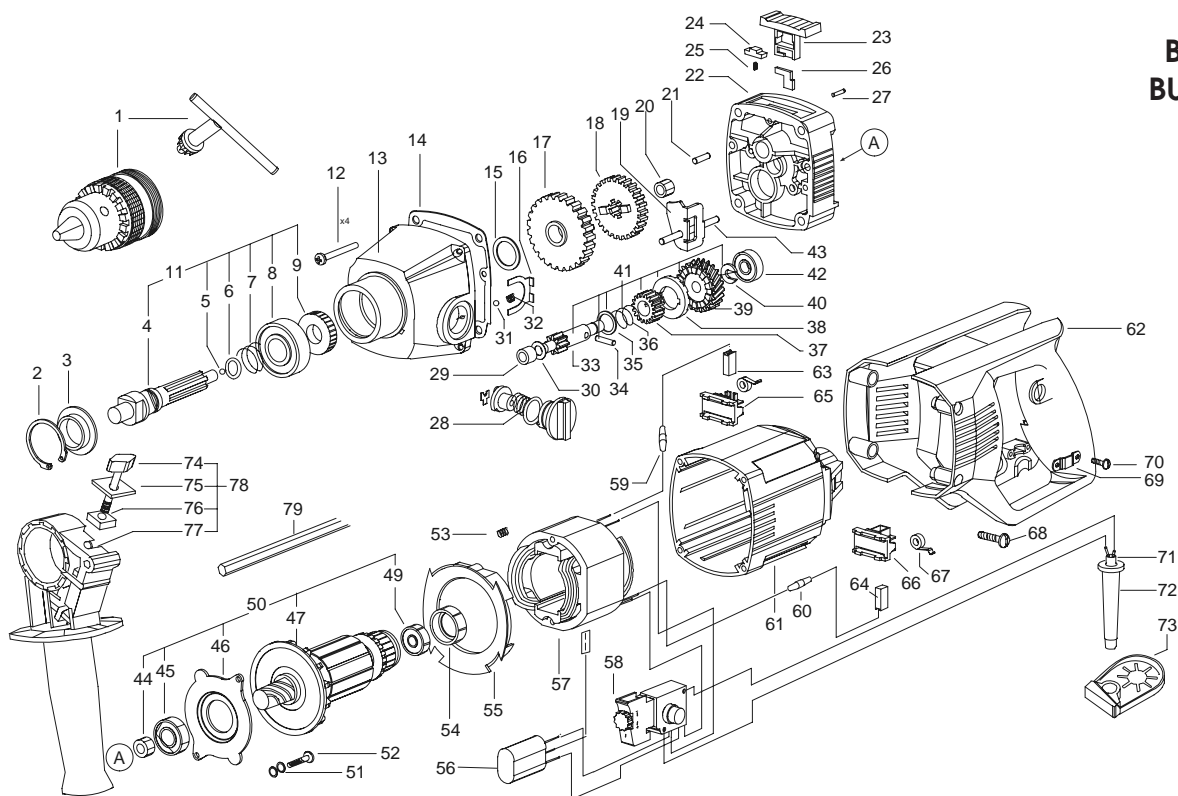


POS. No.	Ref.No.	Description
1	124612	Chuck 16M
2	920048	Circlip J35x1.2
3	116805	Protective washer
4	116796	Spindle
5	330074	Pellet 5-200
6	330341	O-ring 13X2B
7	116797	Spring
8	330232	Bearing 6003-2RS
9	116799	Hammer bush
11	116795	Spindle set
12	360387	Screw AK 5x45
13	125914	Gear box set
14	116827	Gasket
15	116806	Spacer washer
16	116817	Fixing panel
17	116807	Spindle gear I
18	116808	Spindle gear II
19	116809	Switching plate
20	330233	Bearing HK0810RS
21	127498	Pin
22	116828	Bearing shield
23	116830	Hammer switch
24	119814	Fixing bit
25	130580	Spring
26	116831	Plate
27	116884	Pin
28	174958	Gear switch
29	933756	Bearing HK0709
30	140033	Spacer washer
31	330073	Pellet 3.5-200
32	130580	Spring
33	116819	Gear shaft
34	117817	Pin
35	116820	Spacer washer
36	116821	Spring
37	116822	Spindle gear II for Gear shaft
38	116823	Profile washer
39	116824	Large intermediate gear
40	119144	Circlip
41	116818	Gear shaft set
42	330308	Bearing 6082ZP63LDS18
43	116816	Axle

POS. No.	Ref.No.	Description
44	117012	Bush
45	330291	Bearing 60002ZP63LDS18
46	117011	Bearing cover
47	100429	Fan
49	330287	Bearing 627-2ZP6LDS18
50	116986	Armature set
51	360010	Spring washer 4H
52	360695	Screw M4X12
53	122859	Spring
54	164934	Rubber bush
55	129830	Diffuser
[1]	56	121607 Capacitor set
[2]	56	117014 Capacitor set
[1]	57	122866 Stator set
[2]	57	122863 Stator set
[1]	58	173390 Switch Defond DGQ 1106AO
[2]	58	117975 Switch „MARQUARDT“
59	124127	Choke
60	124127	Choke
61	122873	Body
62	121238	Casing handle set
63	120964	Brush with a switch
64	120965	Brush
65	116892	Brush holder set
66	116893	Brush holder set
67	112257	Spiral spring
68	360648	Screw 4x16
69	256500	Cord clamp
70	360646	Screw 4x9.5
71	116549	Cord with a plug
72	206687	Cord protector
73	114292	Key holder
74	121306	Butterfly screw set
75	271221	Plate
76	114032	Nut M6
77	121133	Handle
78	121152	Handle set
79	121134	Depth gauge

Note:
[1] - only for BU2 350; [2] - only for BU2 350E



BU2 350
BU2 350E