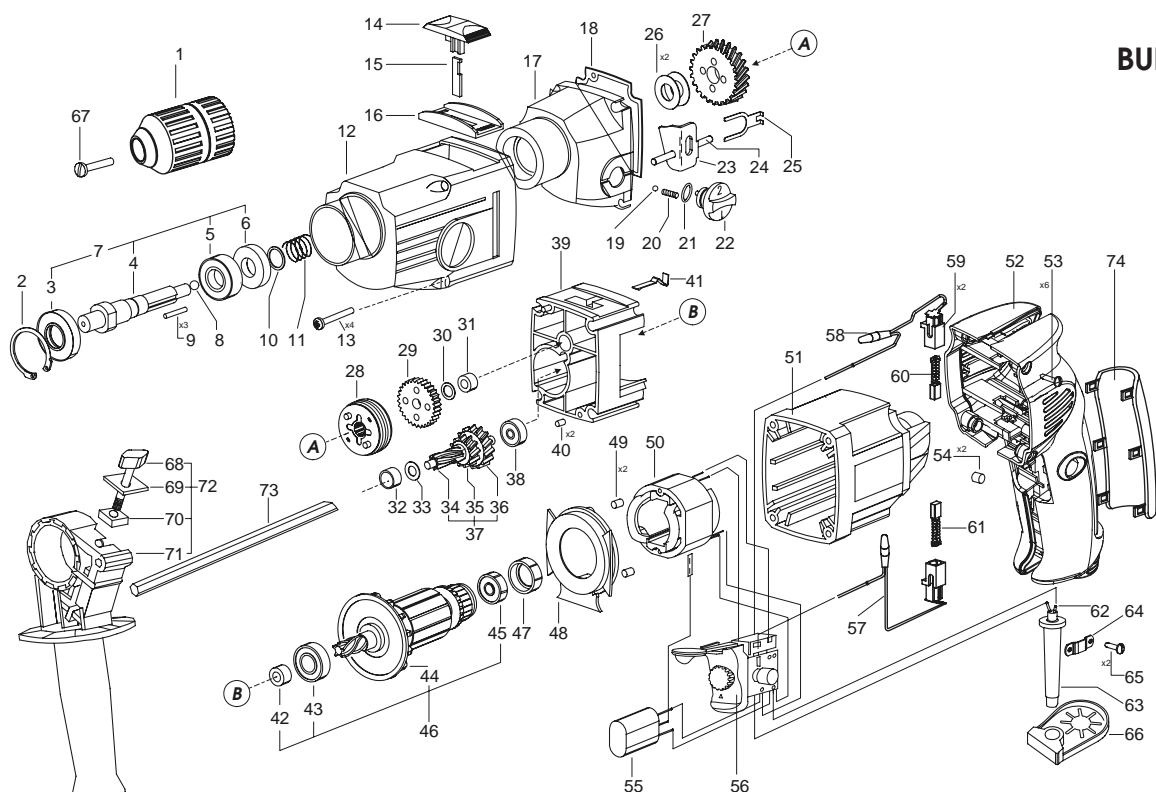


POS. No.	Ref.No.	Description	POS. No.	Ref.No.	Description
1	118984	Chuck B13L	43	330291	Bearing 60002ZP63LDS18
2	890311	Circlip J32x1.2	44	121852	Fan
3	330266	Gasket R15x32x7UEN TREC00150	45	330287	Bearing 627-2ZP6LDS18
4	124077	Spindle	46	150299	Armature set
5	330014	Bearing 6002-2Z	47	164934	Rubber bush
6	119185	Hammer bush	48	122828	Diffuser
7	124075	Spindle set	49	239974	Claming pin
8	330074	Pellet 5-200	50	123216	Stator set
9	330267	Needle for bearing B3x19.8 G	51	150301	Body
10	140005	Washer	52*	123513	Handle
11	119022	Spring	52**	153674	Casing handle set
12	122445	Gear box cover	53	360654	Screw 4x18
13	151371	Screw AK 5x64x20	54	272960	Claming pin
14	170023	Slide	55*	117515	Capacitor set
15	118884	Support panel	55**	152856	Capacitor
16	122449	Insert	56**	173348	Switch Defond DGQ 1106HOHBR
17	128561	Gear box set	57*	114867	Brush holder set
18	122446	Gasket	57**	153745	Brush holder 10uH,3A,250V
19	330073	Pellet 3.5-200	58*	114866	Brush holder set
20	130580	Spring	58**	153744	Brush holder 10uH,3A,250V
21	330339	O-ring 2-11x2-2	59	271678	Brush holder bush
22	170022	Gear switch	60	154137	Brush
23	122441	Switching plate	61	154138	Brush with a switch
24	122440	Axle	62*	114138	Cord with a plug
25	122444	Locking panel	62**	116549	Cord with a plug
26	117848	Spacer washer	63	206687	Cord protector
27	122427	Spindle gear I	64	256500	Cord clamp
28	124078	Clutch set	65	360646	Screw 4x9.5
29	122434	Spindle gear II	66	114292	Key holder
30	122435	Spacer washer	67	360582	Screw M6LHX30-8.8
31	330233	Bearing HK0810RS	68	121306	Butterfly screw set
32	330314	Bearing BK0609	69	271221	Plate
33	140033	Spacer washer	70	114032	Nut M6
34	122437	Gear shaft	71	121133	Handle
35	122438	Spindle gear II for Gear shaft	72	121152	Handle set
36	122439	Large intermediate gear	73	121134	Depth gauge
37	122436	Gear shaft set	74**	128006	Insert
38	330017	Bearing 626	201	170709	Operating instruction
39	122447	Bearing shield	202	169667	Packaging
40	115865	Pin	204	179860	Grease 2 - 1,00 kg.
41	122452	Spring			
42	130581	Bush			

Note: *-fill 01.02.2005; **-from 01.02.2005



BUR2 200E