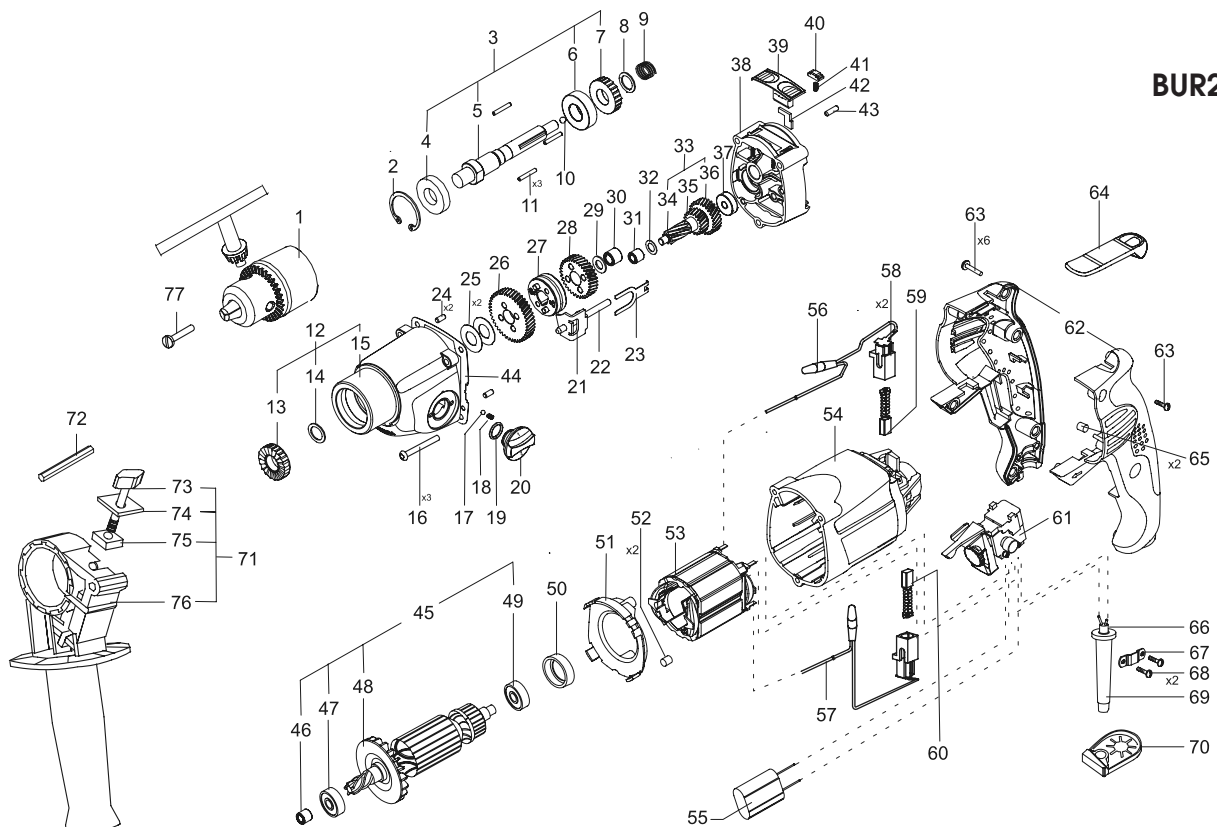


POS. No.	Ref.No.	Description	POS. No.	Ref.No.	Description
1	118984	Chuck B13L	41	130580	Spring
2	890311	Circlip J32x1.2	42	116831	Plate
3	124075	Spindle set	43	174691	Pin
4	330266	Gasket R15x32x7UEN TREC00150	44	174069	Gasket
5	124077	Spindle	45	174673	Armature set
6	330014	Bearing 6002-2Z	46	130581	Bush
7	119185	Hammer bush	47	330942	Bearing 609 2RSL P63 LDS18SpA
8	140005	Washer	48	172856	Fan
9	119022	Spring	49	330582	Bearing 6262ZP6E LDS18 SKF
10	330074	Pellet 5-200	50	129087	Elastic sleeve
11	330267	Needle for bearing B3x19.8 G	51	172859	Diffuser
12	174687	Gear box set	52	239974	Claming pin
13	119187	Hammer bush	53	172855	Stator set
14	115958	Spacer washer	54	172845	Body
15	173836	Gear box	55	152856	Capacitor
16	361115	Screw K4x50	56	114866	Brush holder set
17	330073	Pellet 3.5-200	57	114867	Brush holder set
18	130580	Spring	58	271678	Brush holder bush
19	330339	O-ring 2-11x2-2	59	154138	Brush with a switch
20	174272	Gear switch	60	154137	Brush
21	122441	Switching plate	61	150570	Switch DGQ 1106
22	122440	Axle	62	172860	Casing handle set
23	122444	Locking panel	63	360654	Screw 4x18
24	115865	Pin	64	172846	Belt clip
25	117848	Spacer washer	65	272960	Claming pin
26	122427	Spindle gear I	66	114138	Cord with a plug
27	124078	Clutch set	67	256500	Cord clamp
28	122434	Spindle gear II	68	360646	Screw 4x9.5
29	122435	Spacer washer	69	206687	Cord protector
30	330233	Bearing HK0810RS	70	114292	Key holder
31	330119	Bearing HK0609	71	121152	Handle set
32	140033	Spacer washer	72	121134	Depth gauge
33	174325	Gear shaft set	73	121306	Butterfly screw set
34	122437	Gear shaft	74	271221	Plate
35	122438	Spindle gear II for Gear shaft	75	114032	Nut M6
36	174326	Large intermediate gear	76	121133	Handle
37	330017	Bearing 626	77	360582	Screw M6LHX30-8.8
38	173838	Bearing shield	201	174686	Packaging
39	174065	Slide	202	174713	Operating instruction
40	174066	Fixing bit	204	179860	Grease 2 - 1,00 kg.



BUR2 160E